

ASSEMBLY INSTRUCTION

ITEM# HZ8537-C DESCRIPTION COCKTAIL TABLE

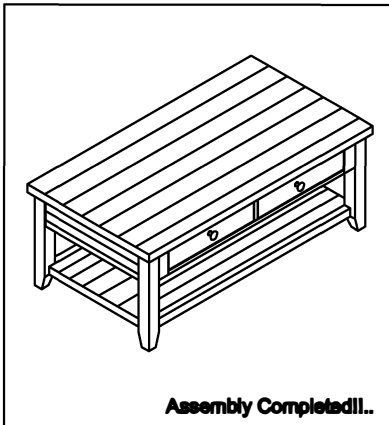
Thank you for purchasing this quality product. Be sure to check all packing material carefully for small parts which may have come loose inside the carton during shipment. Identify and count all parts and compare with Hardware/Parts Lists below:

HARDWARE LIST

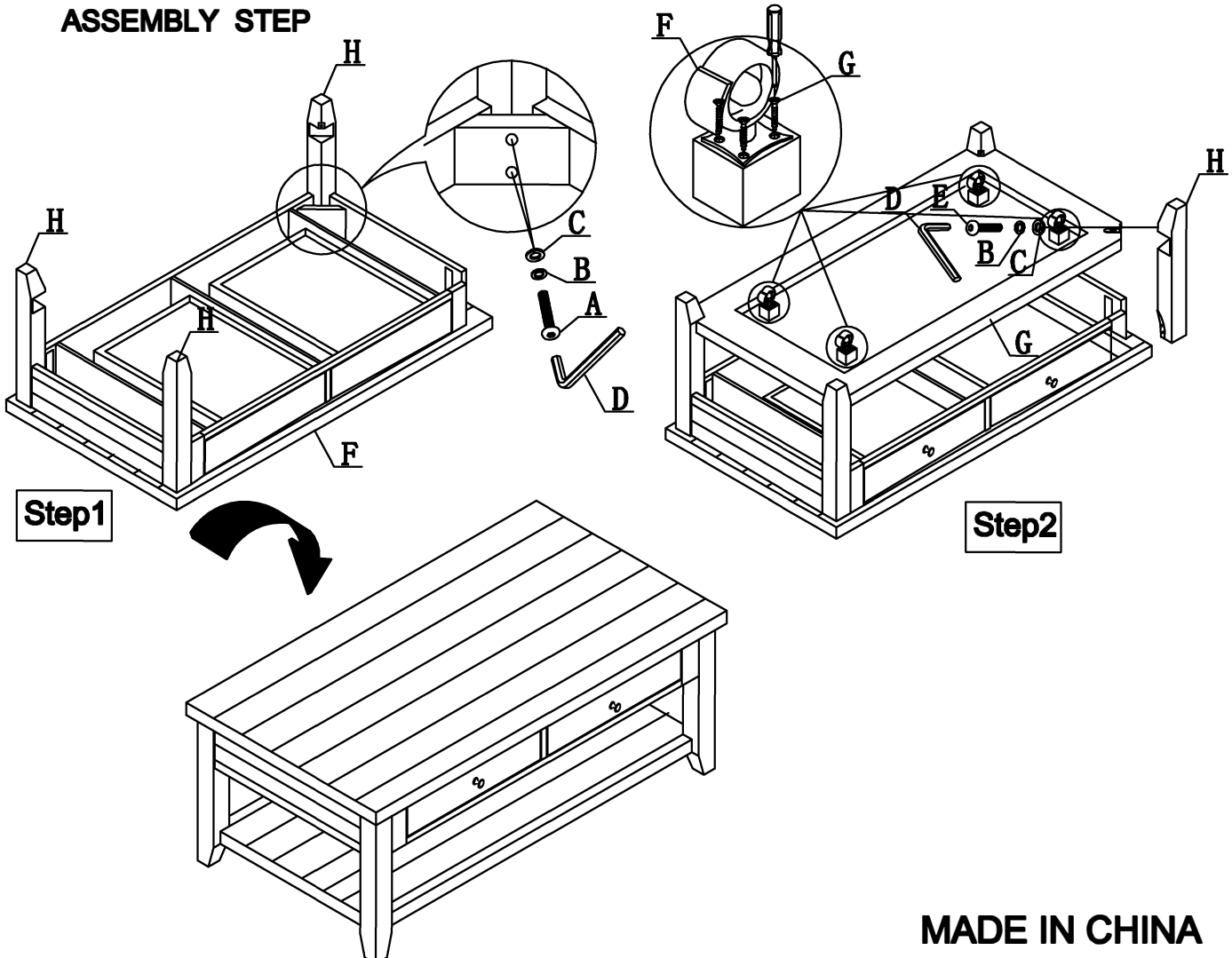
NO.	SKETCH	HARDWARE	Q' TY	NO.	SKETCH	HARDWARE	Q' TY
A		1/4"2" ALLEN BOLT	8	D		4mm ALLEN WRENCH	1
B		Ø1/4" LOCK WASHER	12	E		1/4"5/8" ALLEN BOLT	4
C		Ø1/4" FLAT WASHER	12	F		Casters	4
				G		Pan Head Screw	16

PARTS LIST

SKETCH	DESCRIPTION	Q' TY
	Table TOP	Fx1
	Shelf	Gx1
	Leg	Hx4



ASSEMBLY STEP








MADE IN CHINA

ASSEMBLY INSTRUCTION

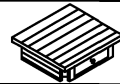


ITEM# HZ8537-E DESCRIPTION END TABLE

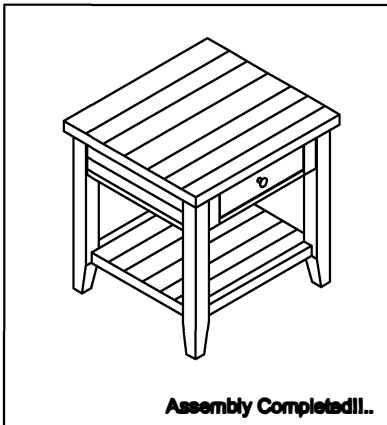
Thank you for purchasing this quality product. Be sure to check all packing material carefully for small parts which may have come loose inside the carton during shipment. Identify and count all parts and compare with Hardware/Parts Lists below:

HARDWARE LIST

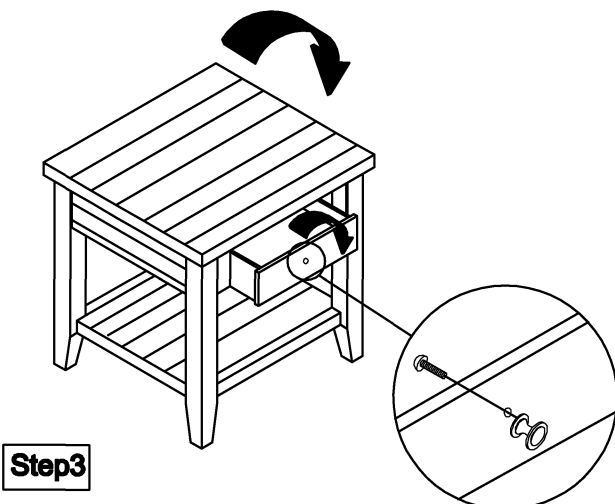
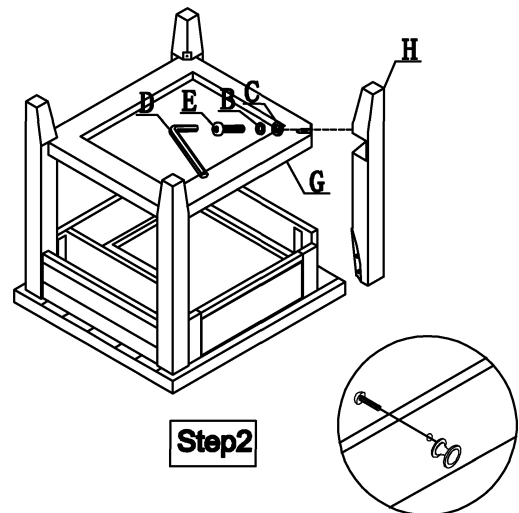
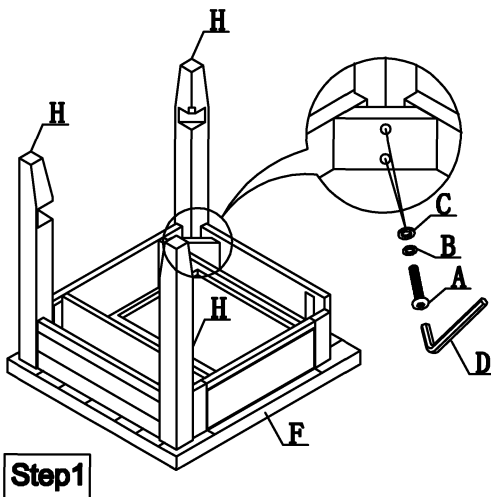
NO.	SKETCH	HARDWARE	Q' TY	NO.	SKETCH	HARDWARE	Q' TY
A		1/4"x2" ALLEN BOLT	8	D		4mm ALLEN WRENCH	1
B		Ø1/4" LOCK WASHER	12	E		1/4"x5/8" ALLEN BOLT	4
C		Ø1/4" FLAT WASHER	12				

PARTS LIST

SKETCH			
DESCRIPTION	Table TOP Fx1	Shelf Gx1	Leg Hx4



ASSEMBLY STEP








MADE IN CHINA

ASSEMBLY INSTRUCTION

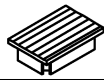


ITEM# HZ8537-CS DESCRIPTION CHAIRSIDE TABLE

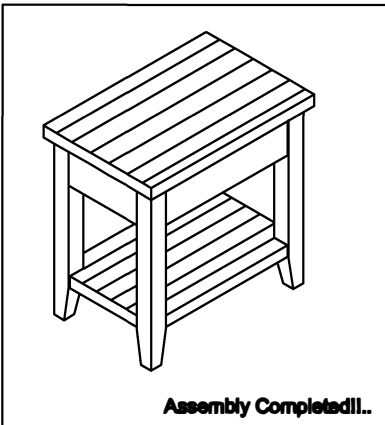
Thank you for purchasing this quality product. Be sure to check all packing material carefully for small parts which may have come loose inside the carton during shipment. Identify and count all parts and compare with Hardware/Parts Lists below:

HARDWARE LIST

NO.	SKETCH	HARDWARE	Q' TY	NO.	SKETCH	HARDWARE	Q' TY
A		1/4"X2" ALLEN BOLT	8	D		4mm ALLEN WRENCH	1
B		#1/4" LOCK WASHER	12	E		1/4"X5/8" ALLEN BOLT	4
C		#1/4" FLAT WASHER	12				

PARTS LIST

SKETCH			
	Fx1	Gx1	Hx4
DESCRIPTION	Table TOP	Shelf	Leg



ASSEMBLY STEP

