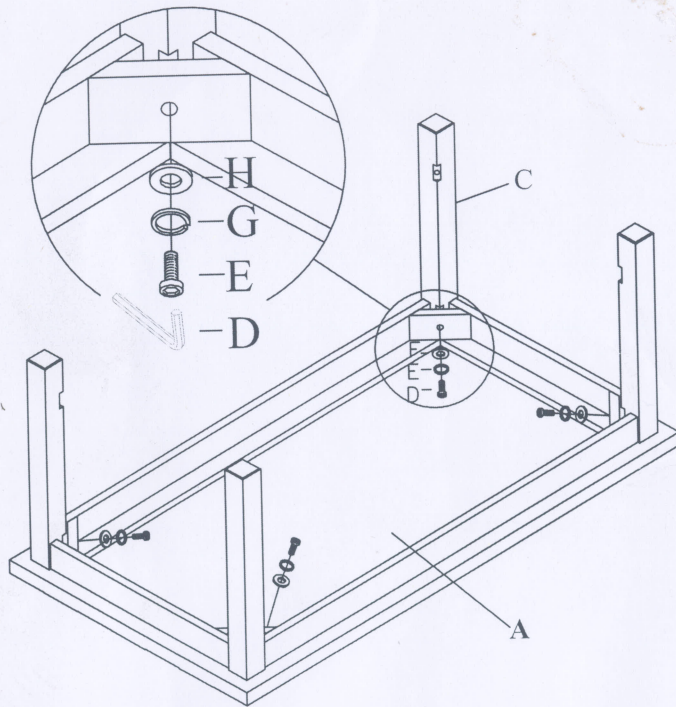
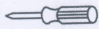





Thank you for purchasing this quality product. Be sure to check all packing material carefully for small parts that may have come loose inside the carton during shipment.

Step 1:


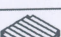
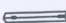


TOOLS REQUIRED(NOT PROVIDED):  
PHILLIPS SCREWDRIVER 

PARTS LIST:

No.	Description	Sketch	Quantity
A	TOP		1 PC
B	Shelf		1 PC
C	Leg		4PCS

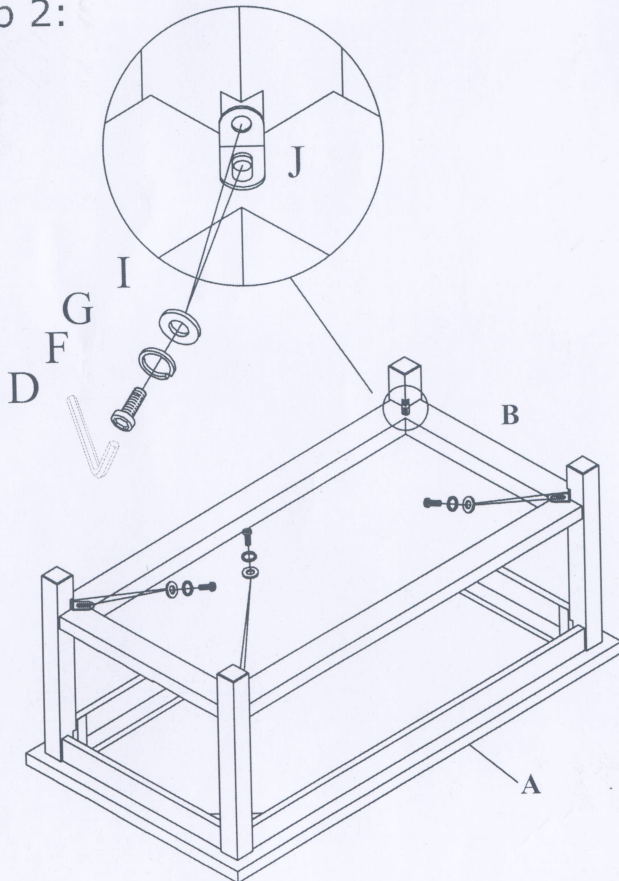
PARTS LIST:

No.	Description	Sketch	Quantity
A	TOP		2 PCS
B	Shelf		2 PCS
C	Leg		8PCS

HARDWARE LIST:

No.	Description	Sketch	Size	Quantity
D	Allen Key		M4	1 PC
E	Long Blot		1/4"*2"	12PCS
F	Long Blot		1/4"*3/4"	24PCS
G	Lock Washer		1/4"	36 PCS
H	Spring Washer		1/4"*19mm	12 PCS
I	Spring Washer		1/4"*16mm	24 PCS
J	L type angle			12 PCS

Step 2:



NOTE: Straight Allen Key(k) is for use with a power drill.

